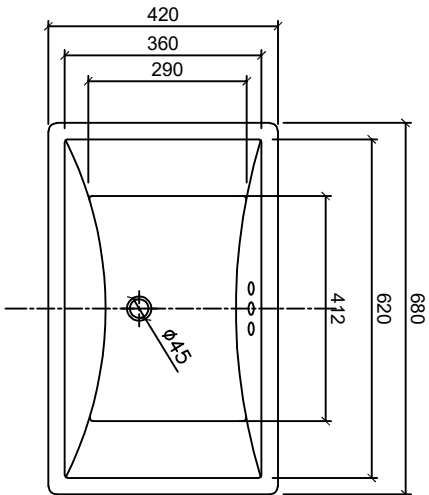
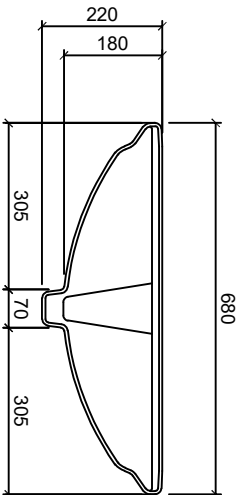


제품명 : BW1103

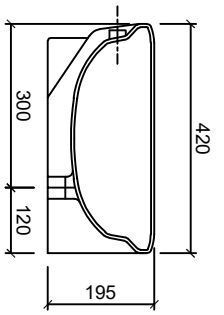
MEMO.



TOP VIEW



FRONT VIEW



SIDE VIEW

NO.	DATE	DESCRIPTION

ISSUES & REVISION

APPROVED BY:	
CHECKED BY:	
CHECKED BY:	
CHECKED BY:	
CHECKED BY:	
DRAWN BY:	

DATE:	
SCALE:	
SHEET NO.:	
DRAWING NO.:	